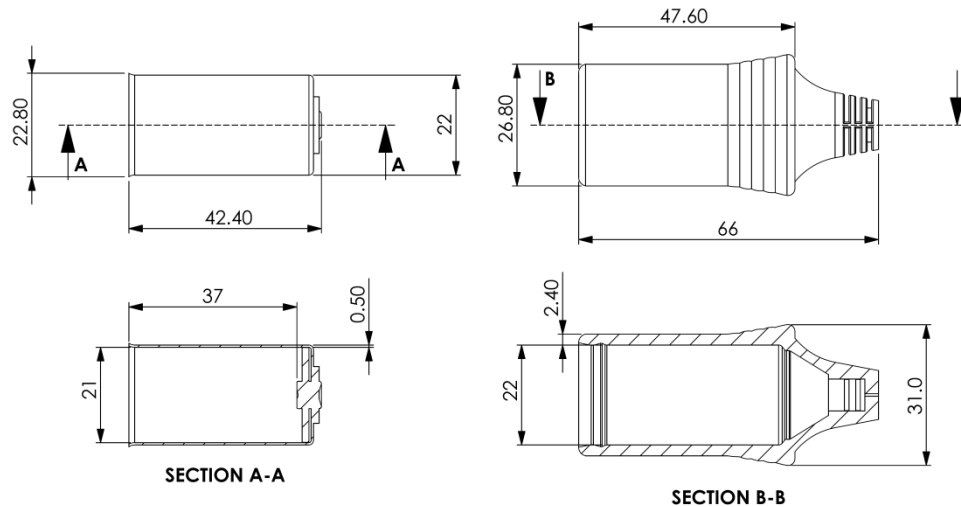


# YE-2110M AUTO CIG CABLE JACK



## MATERIALS :

1. POSITIVE CONTACT:  
BRASS
2. SHELL COVER :  
PVC
3. NEGATIVE CONTACT :  
STEEL NICKEL PLATED
4. INSULATION :  
BAKELITE BOARD.

|                              |                 |                      |                |                                   |        |  |                   |            |
|------------------------------|-----------------|----------------------|----------------|-----------------------------------|--------|--|-------------------|------------|
| 俞昌有限公司<br>YEU TSANG CO. LTD. | 品名:<br>ITEM:    | AUTO CIG. CABLE JACK |                | 一般公差<br>.X +/-0.25<br>.XX +/-0.10 | SHEET: | 單位:<br>unit: mm<br>日期:<br>date: '07/01/23<br>比例:<br>scale: 1 : 1<br>版本:<br>version: V. 1.0 | 繪圖:<br>drwn by:   | DanielShyr |
|                              | 料號:<br>PART NO. | YE-2110M             | 圖號:<br>DRW NO. |                                   | 1<br>1 |  | 核准:<br>aprvid by: | SkyShyr    |

COPYRIGHT BY YEU TSANG